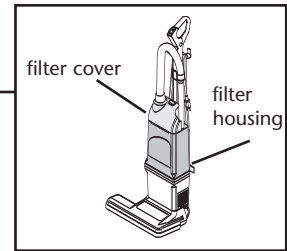
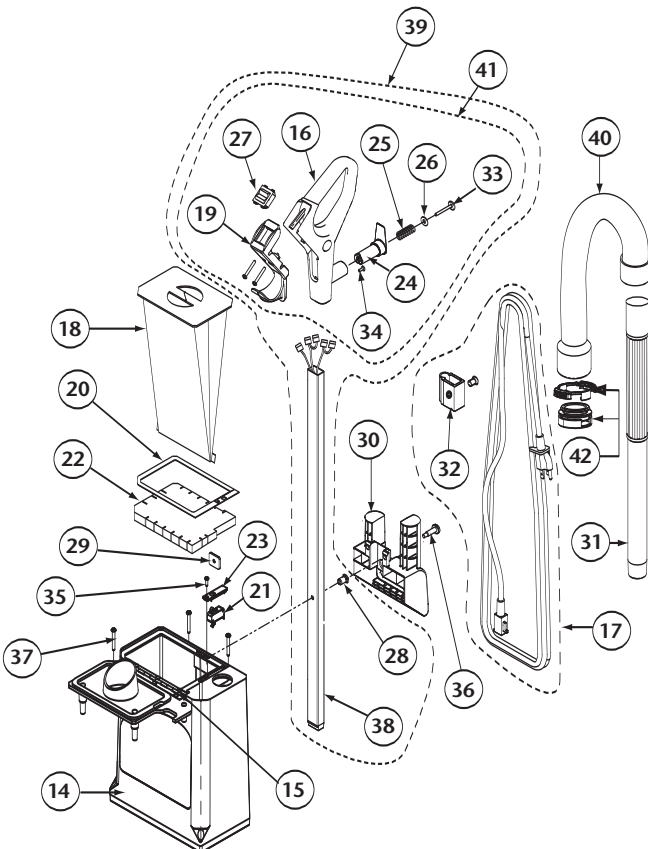
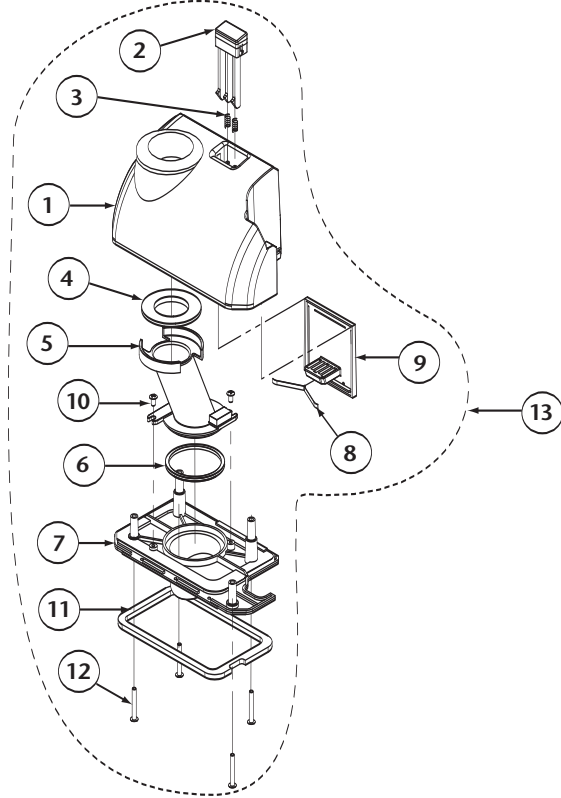


ProForce 1500xp parts list

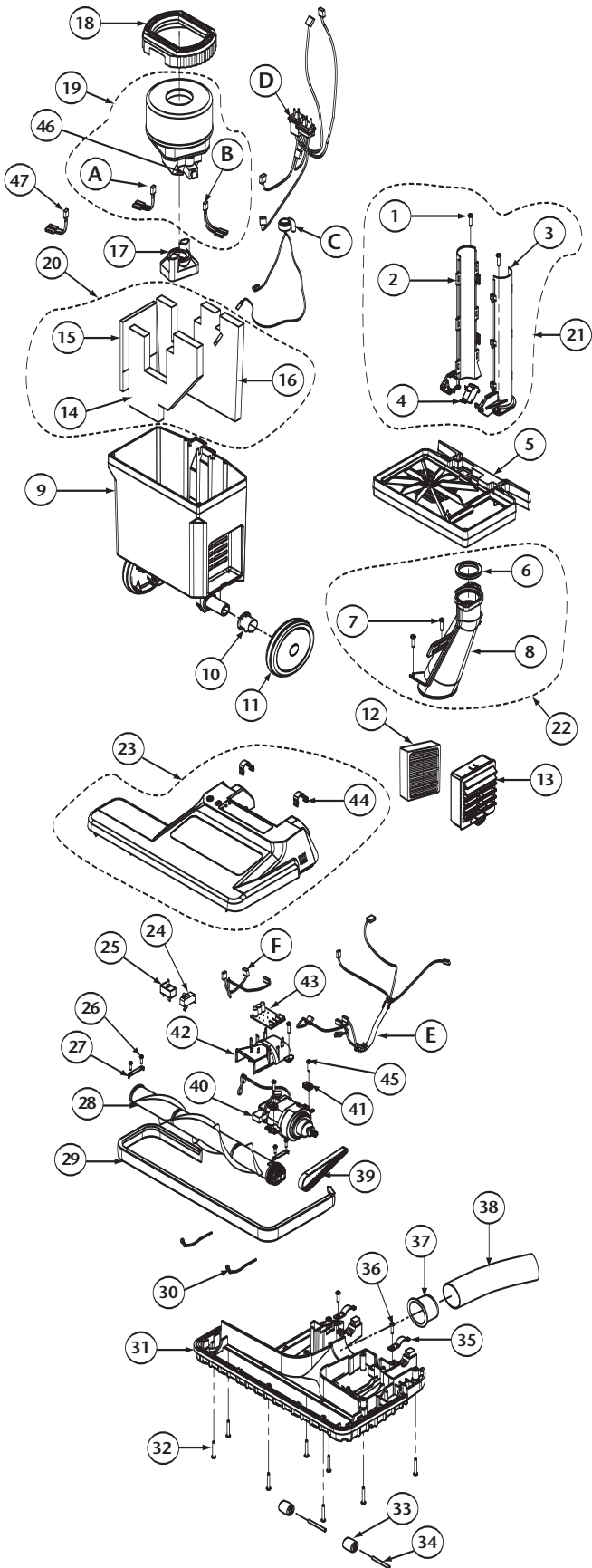
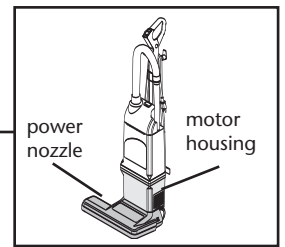


filter cover



No.	Product Name
1	104234 Cover, Bag Housing, Grey F/XP
2	104232 Latch, Release, Bag Cover
3	104233 Spring, Release Button, F/Bag Cover Latch
4	104235 Seal, Transition Duct/Bag Cover, Upper
5	104236 Duct, Transition, Bag Cover, F/XP
6	104238 Seal, Transition Duct/Bag Cover Nozzle Plate, Lower
7	104239 Plate, Bag Cover Nozzle, F/XP
8	104242 Spring, Bag Cover Latch
9	104243 Plate, Bag Cover Latch
10	104505 Screw, Phillips, 4.2mm x 9.5mm (set of 2)
11	104241 Gasket, Bag Cover
12	104493 Screw, Phillips, 4.2mm x 35mm (set of 4)
13	105486 Filter Cover Kit w/Riveted Hinge and 6 Rivets (includes: #1-12)
14	104490 Bag Housing Assembly, Grey w/Riveted Hinge & Decal Includes Bag Cover Nozzle Plate
15	104491 Rivet F/Bag Housing Assembly
16	104255 Handle w/Over Mold and Decal
17	104284 Cord, Power, w/Strain Relief, 50' Yellow
18	103483 Intercept Micro Filter
19	105088 Handle Bezel w/Screws
20	104738 Seal, Gasket, Bag Housing
21	104283 Switch, Filter, Lock-Out
22	104281 Filter, Double Layer Motor Intake
23	104282 Cover, Switch, Filter Lock-out
24	104268 Bracket, Cord Wrap
25	104269 Spring, Compression, Cord Wrap Bracket
26	104270 Washer, Compression Spring, Cord Wrap Bracket
27	105147 Switch, Rocker, On/Off
28	104264 Bushing, Handle Tube
29	104259 Plate, Handle Nut
30	104265 Handle, Carry w/Tool Caddy, F/XP
31	104294 Wand, F/XP
32	105091 Clasp, Strain Relief, Yellow
33	104271 Screw, Cord Wrap, 4mm x 38mm, Phillips Round Head
34	104509 Screw, Phillips, M4 x 10mm x .07 Pitch, F/Handle Assembly
35	105075 Screw, Phillips, 2.9mm x 13mm, F/Switch Cover
36	104266 Screw, Handle Assembly
37	104493 Screw, Phillips, 4.2mm x 35mm (set of 4)
38	104958 Handle, Tube w/Wire Harness, Rivet Nut and Plug Rivet
39	104959 Handle, Tube Assembly Complete, F/XP (includes: #16,19,24,25,26,27,28,33,34,38)
40	104961 Hose, Assembly w/Cuffs, F/XP (includes: #42)
41	105502 Handle Kit (includes: #16,19,24,25,26,27,33,34)
42	105573 Quick Release Hose Cuff

ProForce 1500xp parts list



No.	Product Name
1	104209 Screw, Phillips, 4.2mm x 12mm F/Wand Guide (set of 2)
2	104261 Guide, Wand, Upper Left
3	104260 Guide, Wand, Upper Right
4	104263 Switch, Wand Lockout
5	104245 Bulkhead, Dark Grey
6	104253 Seal, Lower Air Duct , Nitrile
7	104267 Screw, Phillips, 4.2mm x 19mm F/Lower Air Duct (set of 2)
8	104250 Air Duct Assembly
9	104536 Motor Housing, Charcoal
10	104504 Bearing, Pivot
11	104306 Wheel, Rear (set of 2)
12	105136 Filter, Exhaust, HEPA media
13	104246 Cover, Filter Cartridge, Charcoal
14	103532 Foam, Sound, Motor Housing, Front Panel
15	103533 Foam, Sound, Motor Housing, Left Panel
16	103531 Foam, Sound, Motor Housing, Rear Panel
17	104247 Motor Mount, Lower Nitrile
18	104249 Motor Mount, Upper Nitrile
19	104957 Motor Assembly w/Jumpers (includes: A, B)
20	105488 Motor Housing Sound Filter (includes: #14, 15, 16)
21	105490 Wand Kit (includes: #1, 2, 3, 4)
22	105489 Air Duct Kit (includes: #6, 7, 8)
23	104494 Power Nozzle Cover w/Detent Springs & Decals
24	104279 Switch, Safety, Power Nozzle Lockout
25	104212 Circuit Breaker
26	104496 Screw, Phillips, 2.9mm x 35mm, F/Brush Retainer (set of 4)
27	104499 Retainer, Brush Roll
28	104216 Brush Roll, Power Nozzle, 14"
29	104218 Bumper, Power Nozzle, Vinyl
30	104500 Brace, Formed Wire, F/Power Nozzle Base
31	104221 Baseplate, Power Nozzle
32	104497 Screw, Phillips, 4.2mm x 35mm F/Base Cover (set of 8)
33	104501 Roller, Front
34	104502 Shaft, Front Roller Axle
35	104503 Clamp, Rear Wheel
36	104495 Screw, Phillips, 4.2mm x 19mm F/Powerhead (set of 5)
37	104227 Sleeve, Hose, Air Duct
38	104230 Hose, Power Nozzle to Air Duct, Lower
39	104217 Belt, Drive, F/Brush Roll
40	104506 Motor, Power Nozzle with Crimps
41	104498 Grommet, Vibration, Power Nozzle Motor, Nitrile
42	104224 Cover, Air Duct, Power Nozzle
43	104226 Board, Vacuum Operation Indicator
44	104507 Spring, Detent, Upright Lock
45	105371 Screw, Phillips, 4.2mm x 19mm, F/Power Nozzle Motor (set of 2)
46	105281 Carbon Brush Set for ProForce Motor
47	105760 Thermal Protector
105754	Wire Harness Kit includes:
	A. Harness, Jumper, Red
	B. Harness, Jumper, White
	C. Sensor, Bag Full Indicator
	D. Harness, Main Power Supply
	E. Harness, Wire, Power Nozzle
	F. Harness, Power Nozzle Switch