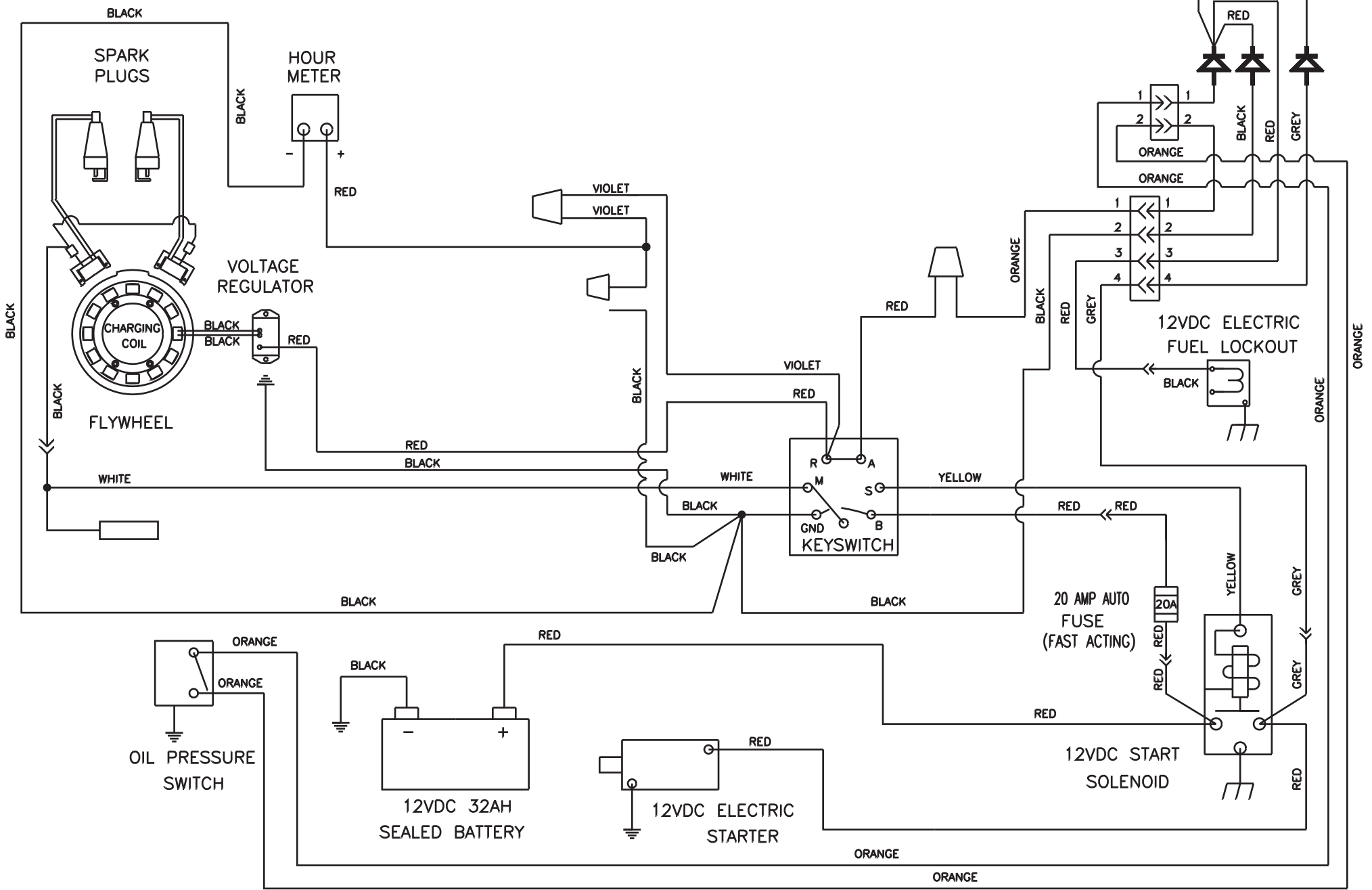


(3X) 400VDC 5AMP  
BLOCKING DIODE



ELECTRICAL SCHEMATIC

REV. A